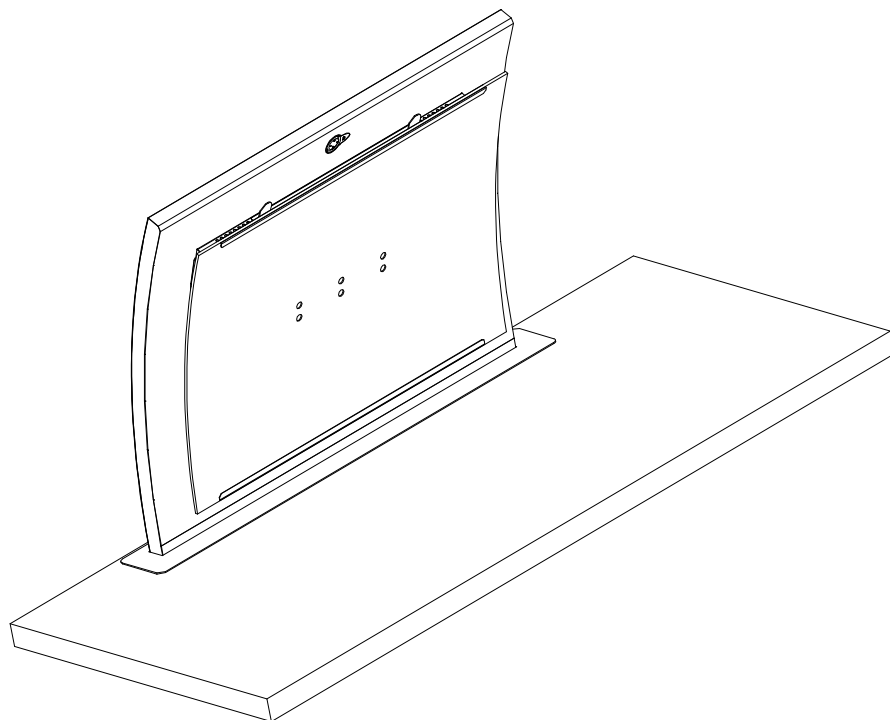
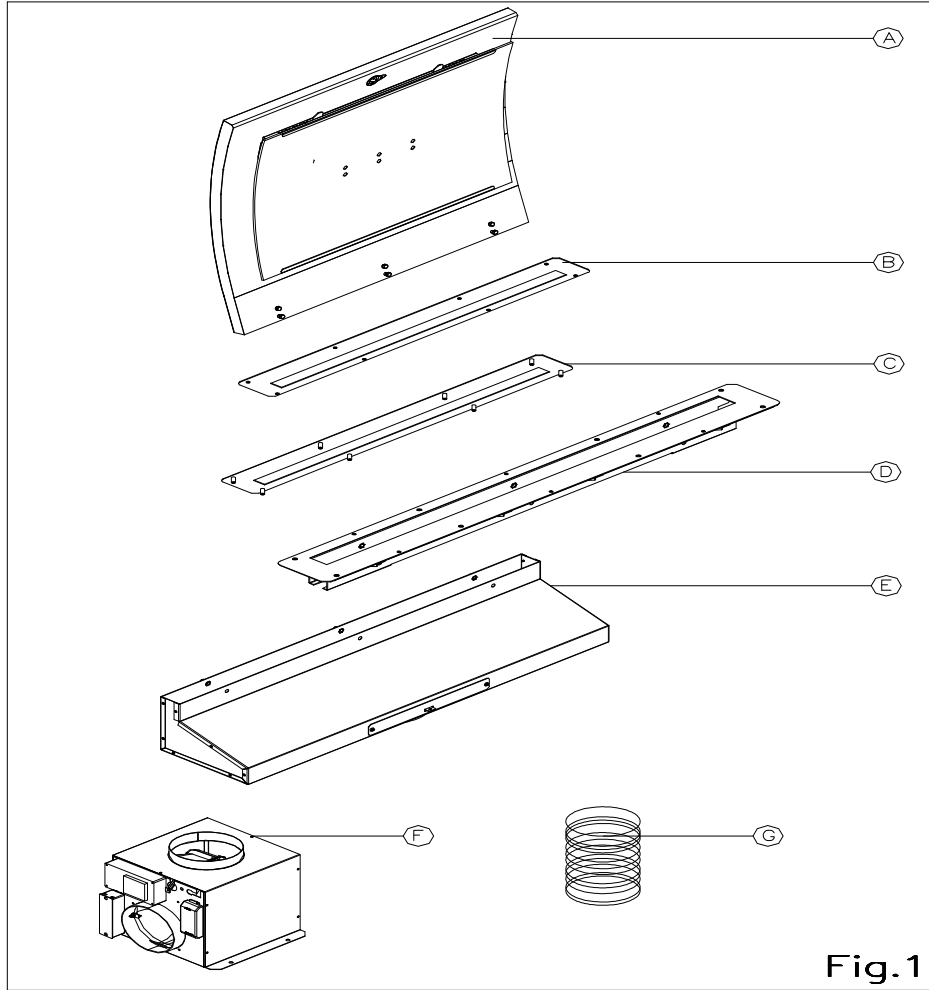


LA-TRIF-DOWNDRAFT Installation Guide





I COMPONENTI

- A - Corpo cappa
- B - Dima foratura
- C - Piastra di fissaggio
- D - Supporto di riscontro
- E - Convogliatore aria
- F - Box motore
- G - Tubo flessibile

GB COOKER HOOD

- A - Hood structure
- B - Template for fixing
- C - Mounting plate
- D - Anchoring support
- E - Air conveyor
- F - Motor box
- G - Hose

F COMPONENTS

- A - Corps de la hotte
- B - Schéma de perçage
- C - Plaque de montage
- D - Support d'ancrage
- E - Convoyeur d'air
- F - Box moteur
- G - Tuyau flexible

D BAUTEILE

- A - Haubenkörper
- B - Bohrschablone
- C - Befestigungsplatte
- D - Gegenstück
- E - Luftleitblech
- F - Motorgehäuse
- G - Schlauch

E COMPONENTES

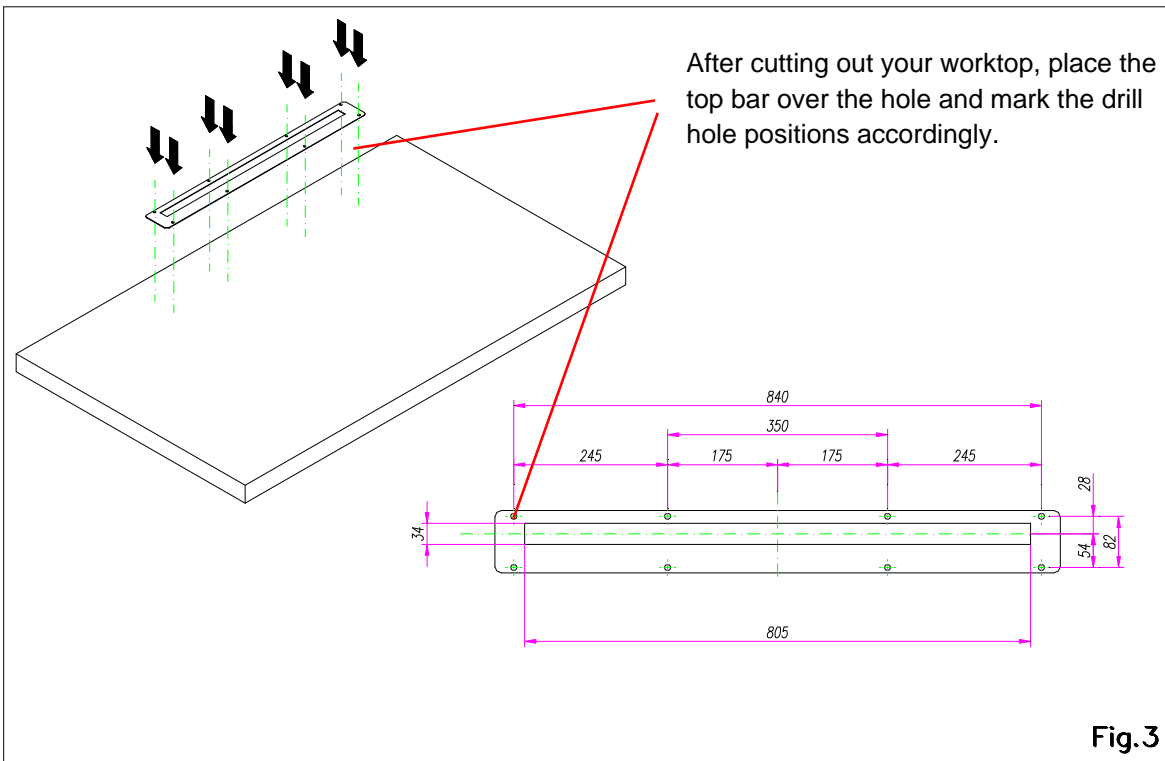
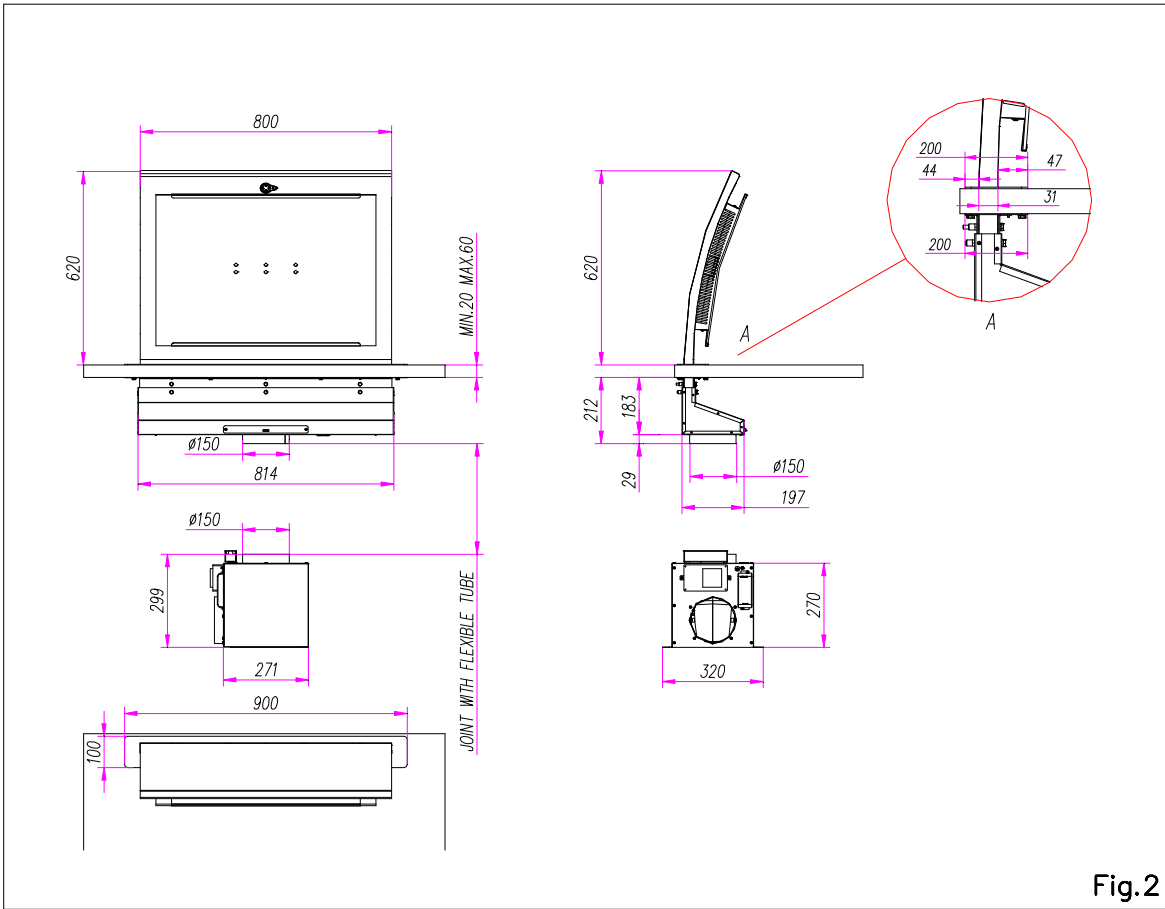
- A - Cuerpo campana
- B - Silueta agujereado
- C - Placa de fijado
- D - Soporte de correspondencia
- E - Embudo aire
- F - Box motor
- G - Tubo flexible

P COMPONENTES

- A - Corpo do exaustor
- B - Matriz de perfuração
- C - Placa de fixação
- D - Suporte para feedback
- E - Transportador de ar
- F - Caixa do motor
- G - Tubo flexível

المكونات

- A - الغطاء هيكل
- B - قالب الثقوب
- C - صفيحة التثبيت
- D - لوحة الدعم
- E - ناقل الهواء
- F - صندوق المحرك
- G - أنبوب مرن



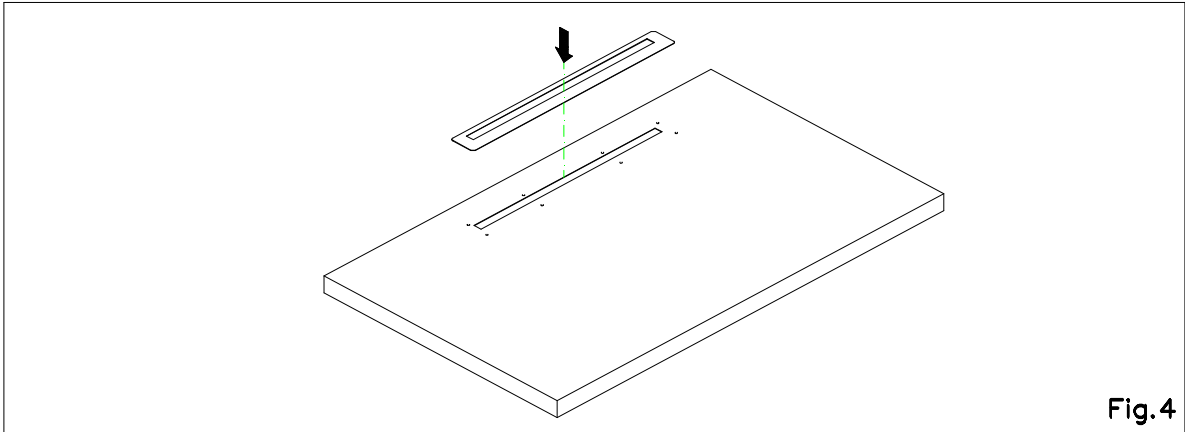


Fig.4

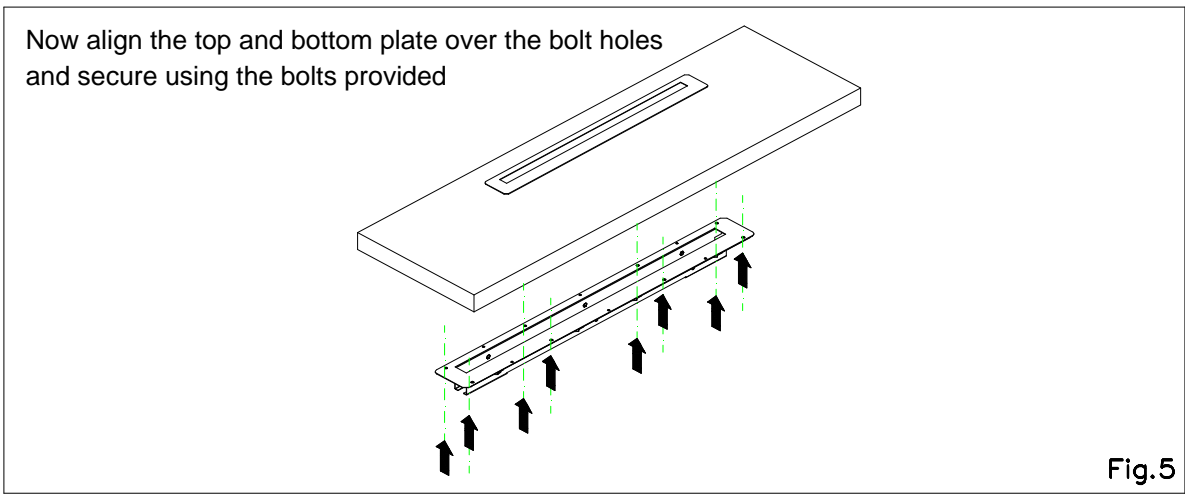


Fig.5

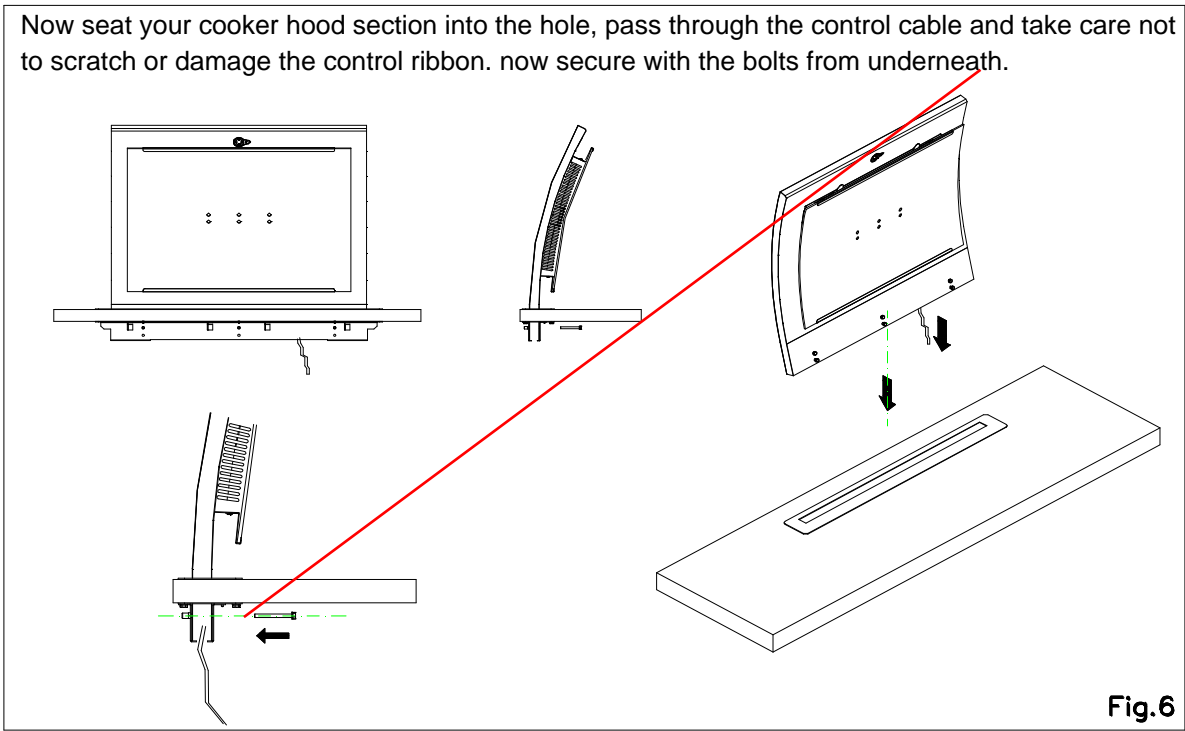


Fig.6

Now connect the motor housing plate to the bracket using the bolts provided, again make sure the control ribbon is passed through the hole

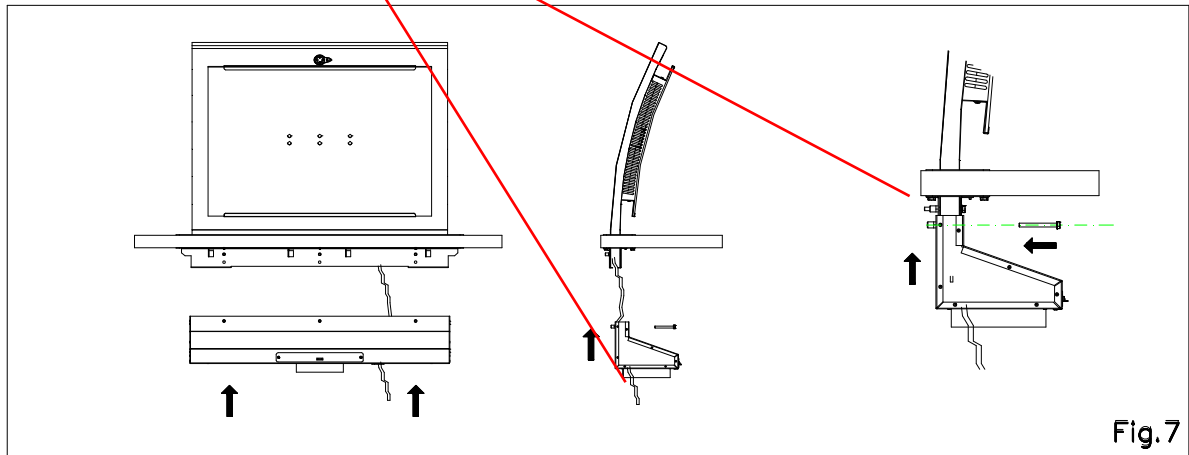


Fig.7

Now connect your ducting pipe to the underside of the bracket, and then connect your ducting to the top of the motor housing

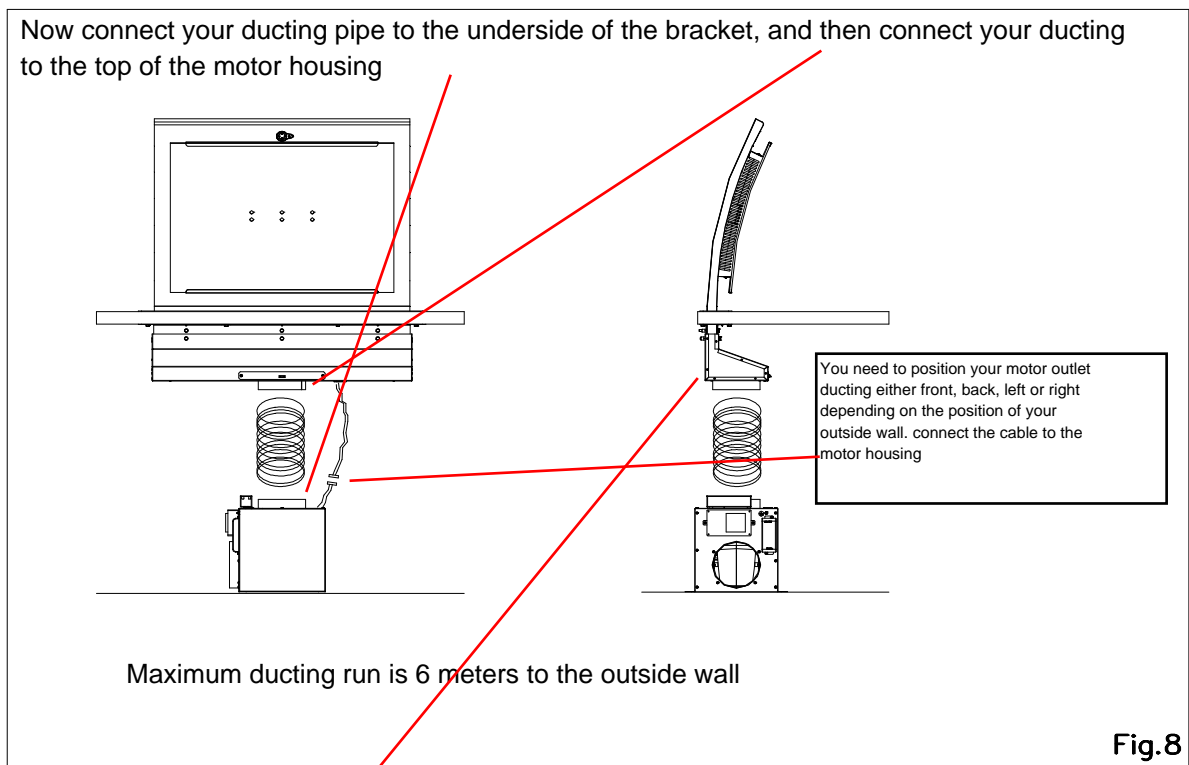


Fig.8

Fitting the charcoal filter (only to be used if you are not ducting to the outside)

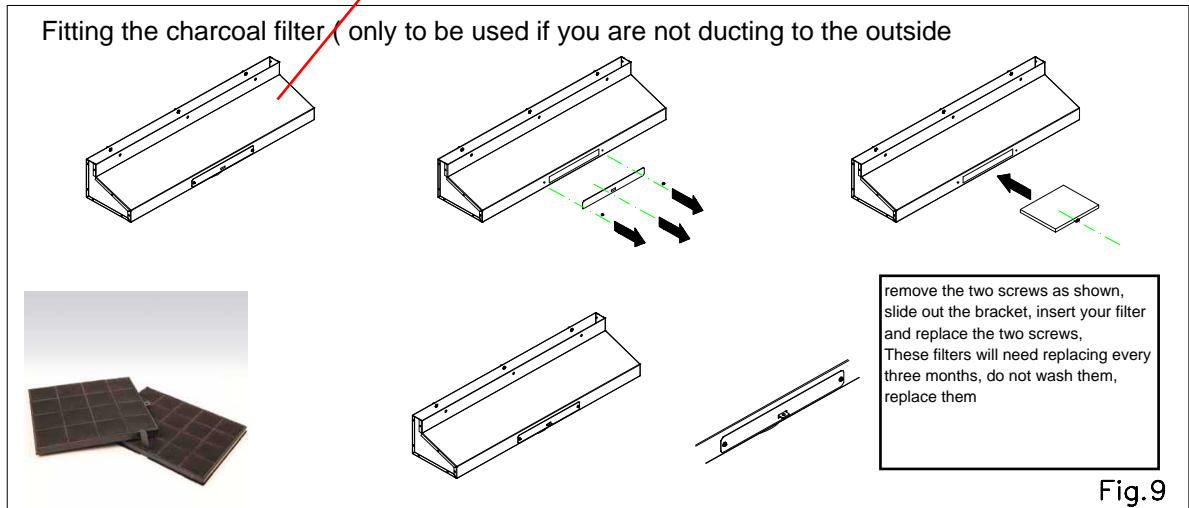


Fig.9

Toggle switch operation

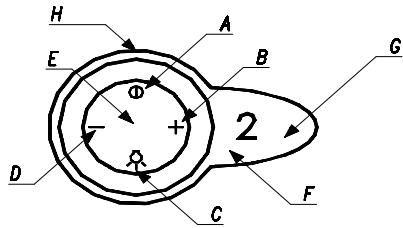


Fig.10_A

Remote Control optional Extra

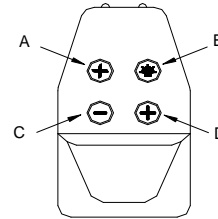


Fig.10_B

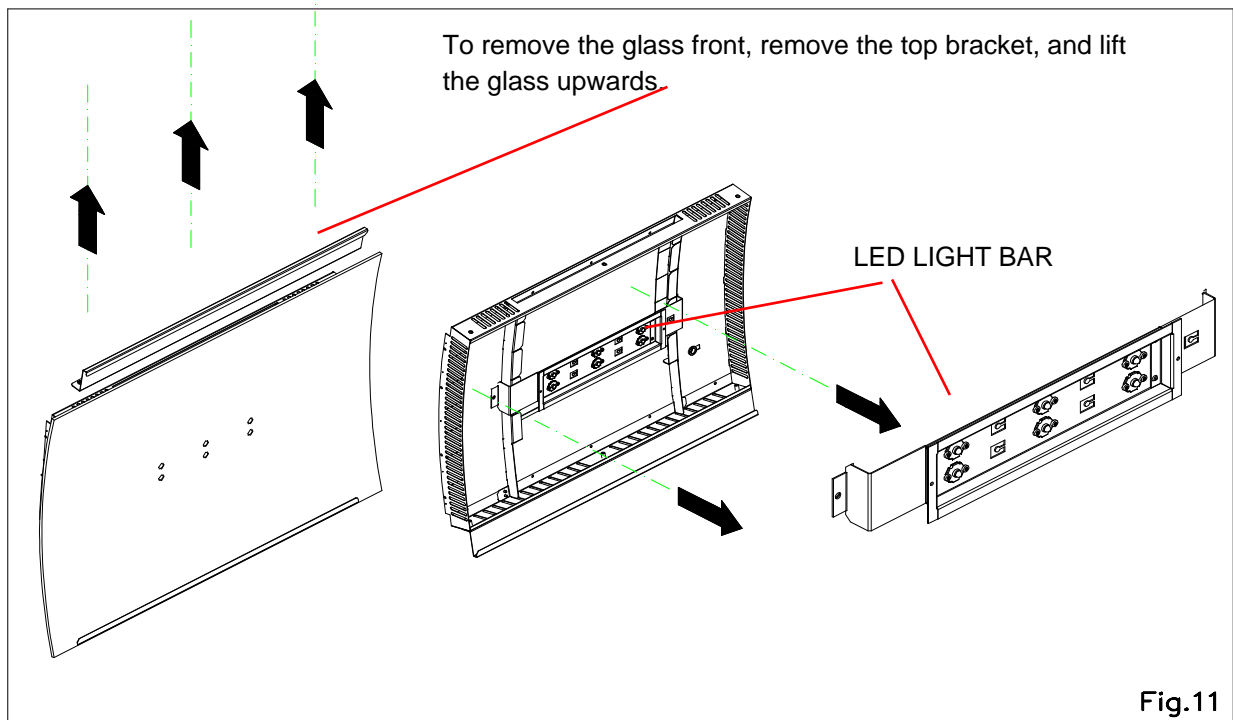


Fig.11

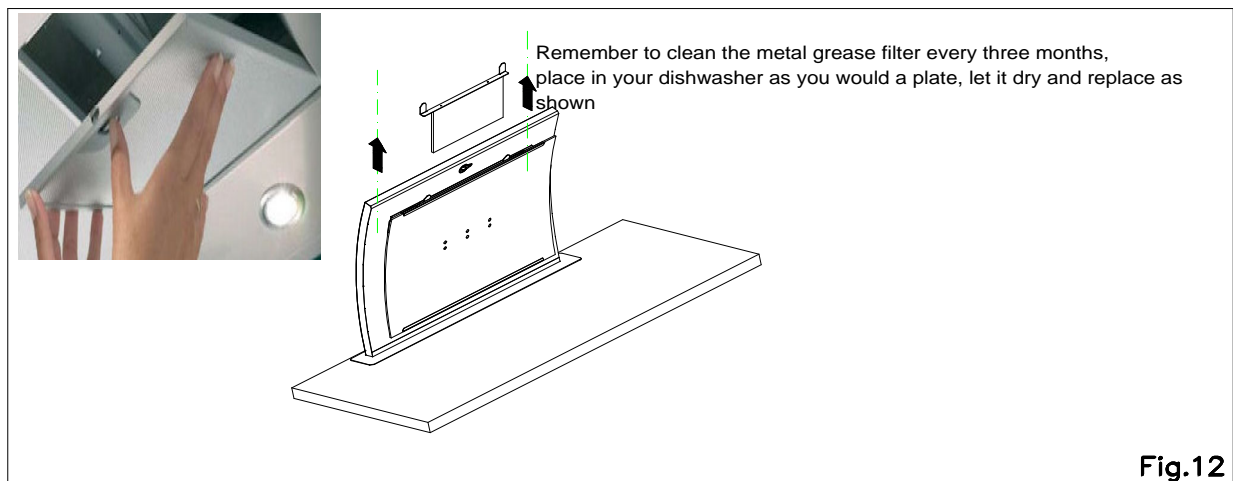


Fig.12

Warranty Registration is now on-line only



Product Warranty Registration

Make the most of your products warranty.

- Register your product to receive warranty

**ONLINE WARRANTY
REGISTRATION**

